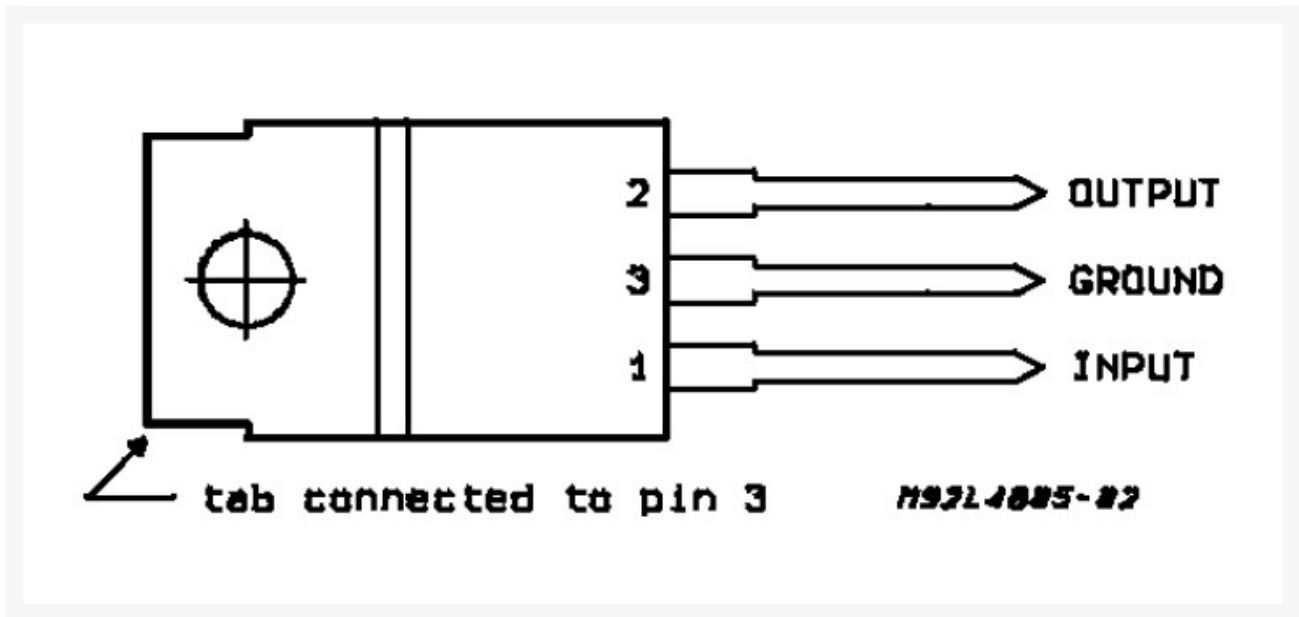


NEG LOW DROP 10.0V REGULATOR

€ 5,71

Excl. BTW: € 4,72

Afbeeldingen



Beschrijving

L4700 series voltage regulators feature a very low voltage drop (0,6V), an output current of 500mA and a protection against load dump and transients of $\pm 80V$, Available in 5V, 8.5V,10V (all $\pm 4\%$, $T_I = 25^\circ C$) these regulators also include reverse polarity protection, overvoltage protection, output current limiting and a thermal shutdown circuit.

Productinformatie

Artikelnummer	L4710
Merk	Brand
Is on Sale	Nee

