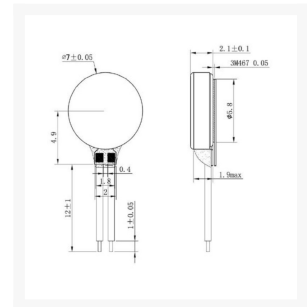
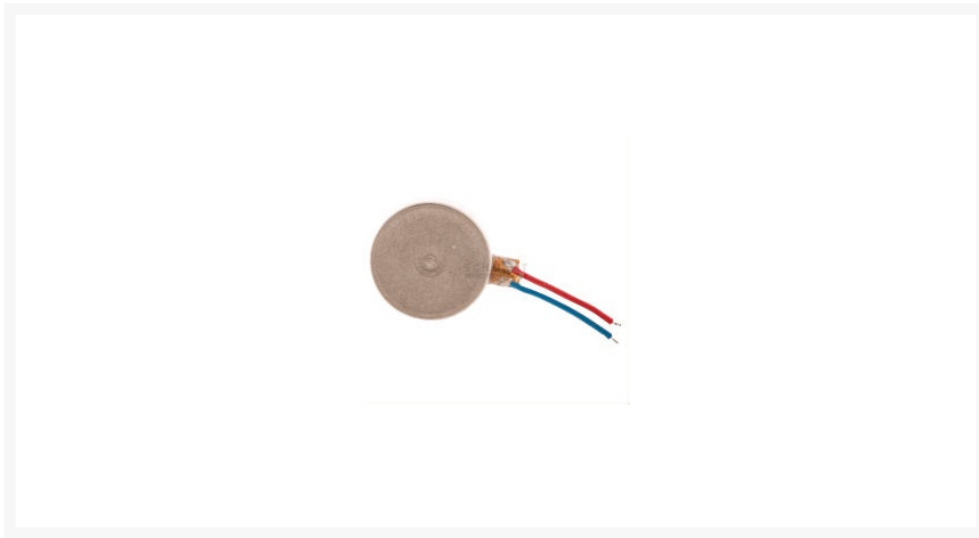


VIBRATIEMOTOR 3VDC 85MA 13500RPM 5 STUKS

€ 26,75

Excl. BTW: € 22,11

Afbeeldingen



| TYPE                     | UNIT            | VM-060A3A    |
|--------------------------|-----------------|--------------|
| Rated voltage            | V <sub>DC</sub> | 3.0          |
| Operating supply voltage | V <sub>DC</sub> | 2.5-4.0      |
| Rotation                 | -               | CW/CCW       |
| Rated Current            | mA              | 85           |
| Rated speed              | rpm             | 10.000±1.000 |
| Starting voltage         | V <sub>DC</sub> | 2.5          |
| Starting current         | mA              | 120          |
| Insulation resistance    | MΩ              | 10           |
| Terminal resistance      | Ω               | 30max        |
| Weight                   | g               | 2.0          |
| Operating temperature    | °C              | -20~+60      |

Beschrijving

Features

- Low weight
- Small dimensions
- VM\_-SMD: SMD version
- Typical applications: Mobile devices, GPS devices, pagers or toys



Technical Specifications

| Part Nr. | U <sub>N</sub><br>[V DC] | I <sub>N</sub><br>[mA] | I <sub>A</sub><br>[mA] | N<br>[rpm] | W<br>[g] |
|----------|--------------------------|------------------------|------------------------|------------|----------|
| VM0610A3 | 3                        | 150                    | 200                    | 10000      | 1,7      |
| VM0702A3 | 3                        | 80                     | n. i.                  | 10000      | 1        |
| VM1002A3 | 3                        | 80                     | 120                    | 10000      | 2        |

|          |     |     |     |       |     |
|----------|-----|-----|-----|-------|-----|
| VM1003A3 | 3   | 85  | 140 | 13500 | 2   |
| VM0724A2 | 2,4 | 100 | 160 | 13000 | 3,6 |
| VM2702A2 | 2,7 | 65  | 90  | 14000 | 0,6 |
| VM12C3   | 3   | 214 | 380 | 14300 | 6,2 |
| VM12C5   | 5   | 111 | 200 | 14380 | 6,2 |

$U_N$  = Rated Voltage,  $I_N$  = Rated Current (@ max. Effizienz),  $I_A$  = Max. Starting Current,  $I_L$  = No-load Current, N = No-load Speed, W = Weight, n. i. = no information by the manufacturer

## Productinformatie

|               |          |
|---------------|----------|
| Artikelnummer | VM1003A3 |
| Merk          | EKULIT   |

