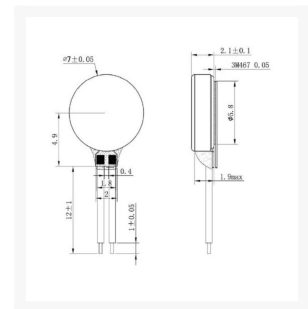
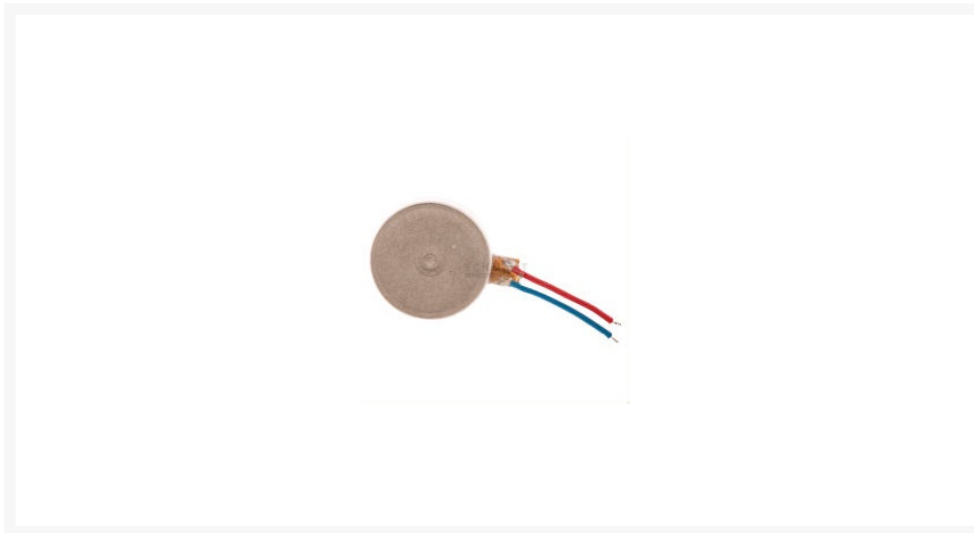


VIBRATIEMOTOR 3VDC 80MA 10000RPM 5 STUKS

€ 23,95

Excl. BTW: € 19,79

Afbeeldingen



TYPE	UNIT	VM-100A3A
Rated voltage	Vdc	3.0
Operating range voltage	Vdc	2.3-4.0
Rotation	-	CW/ACW
Rated Current	mA	80
Rated speed	rpm	10000±1000
Starting voltage	Vdc	2.3
Starting current	mA	120
Insulation resistance	MΩ	10
Terminal resistance	Ω	50 max.
Weight	g	2.0
Operating temperature	°C	-20 ~ +60

Beschrijving

Features

- Low weight
- Small dimensions
- VM_-SMD: SMD version
- Typical applications: Mobile devices, GPS devices, pagers or toys

Technical Specifications

Part Nr.	U_N [V DC]	I_N [mA]	I_A [mA]	N [rpm]	W [g]
VM0610A3	3	150	200	10000	1,7
VM0702A3	3	80	n. i.	10000	1
VM1002A3	3	80	120	10000	2

VM1003A3	3	85	140	13500	2
VM0724A2	2,4	100	160	13000	3,6
VM2702A2	2,7	65	90	14000	0,6
VM12C3	3	214	380	14300	6,2
VM12C5	5	111	200	14380	6,2

U_N = Rated Voltage, I_N = Rated Current (@ max. Effizienz), I_A = Max. Starting Current, I_L = No-load Current, N = No-load Speed, W = Weight, n. i. = no information by the manufacturer

Productinformatie

Artikelnummer	VM1002A3
Merk	EKULIT

