

DIGITALE LED THERMOSTAAT MET EXTERNE SENSOR -50C/+110C 12VDC

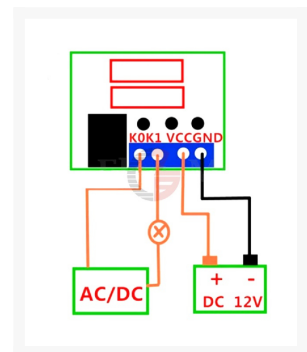
€ 9,95

Excl. BTW: € 8,22

Afbeeldingen



Model	W1209S
Productcode	1209S
Artikelomschrijving	Digitaal LED Thermostaat met externe sensor
Productgroep	Thermostaten
Productfamilie	Thermostaten
Producttype	Thermostaten
Productmerk	Eijlander Electronics
Productgroep	Thermostaten
Productfamilie	Thermostaten
Producttype	Thermostaten
Productmerk	Eijlander Electronics



Beschrijving

Specifications Model: W1209S

Dimensions: 48 * 40mm

Temperature control mode: ON / OFF

Temperature range :-50-120

Control accuracy: 0.1

Hysteresis accuracy: 0.1

Refresh rate: 0.5S

High temperature protection 0-110

Supply voltage: for DC 12V

Static current: ≤ 35MA, attract current ≤ 65MA

Output voltage: for DC 12V

Output Relais : 10A 14Vdc

Measurement input: NTC (10K 0.5%) Waterproof Sensor

Environmental requirements: -10 ~ 60 Humidity 20% -85%

Parameters:

Code	explain	Setting Range	Factory Setting
P0	Heating/Cooling	H/C	C
P1	Return Difference	0.1-30	2.0
P2	Set Limit Max.	+120	120
P3	Set Limit to the Min.	-50	-50
P4	Temperature Correction	-10~10	0
P5	Delay Start	0-10	0
P6	High Temperature Alarm	120	OFF
P7	Data Lock	ON-OFF	OFF
P8	Factory Reset	ON-OFF	OFF

Instructions:

1. Please pay attention for your first use. You need wait 6s after your setting data, the module will save the date you have set after 6s.
2. Short press button SET: If you start the time setting mode , Nixie tube will blink. You could adjust the time T1 and T2 by button+ and button-. Please wait 5s after your setting date, the module will save the date you have set after 5s
3. Long press button SET: if you start the parameter setting mode. There are two group parameter for your choice : P0 and P1. You could switch P0 or P1 by short press SET. Under the parameter P0 and P1,you could set the timing mode by the button+ and button-.

How To Use?

Please connect the power supply according to the parameters and wiring diagram, and connect the cooling or heating equipment to the output.

Enter the internal setting as needed to select the heating (into PO selection H) or cooling (into PO selection C) mode to set the temperature method, press the SET screen once, press the upper and lower to set the desired temperature, press ENT to confirm the OUT indicator of the return panel.

Light: Blinking indicates cooling or heating start delay, always on indicates output

Digital tube: Display LLL for sensor open circuit: display HHH is out of measurement range, thermostat will force power off, display --- for high temperature alarm.

P0 cooling and heating mode

High temperature start for cooling mode, please set to C

Low temperature start for heating mode, please set to H

P1 hysteresis setting

In heating mode (H): measured value \leq set value - start output heating to set value stop when returning

In cooling mode (C), when the measured value \geq set value + hysteresis, the output cooling is started to the set value stop.

P2 limits the maximum setting (non-temperature setting)

P3 defines the lowest set value (non-temperature control setting)

P4 temperature correction

When the measured temperature deviates from the standard temperature, this function can be used to correct the corrected temperature = temperature before correction + correction value

P5 delay start time (unit: minute)

When controlling the cooling of the compressor equipment, the delay time can be set as needed.

When the controller outputs, the equipment will not start immediately, and it needs to start after the

set delay time.

P6 high temperature alarm

When the measured value is greater than this value, the screen is displayed -- and the sound alarm is dropped. Simultaneously disconnect the output

P7 data lock function

Turn on the data lock to keep the current settings from being changed. At this time, the setting temperature and function are invalid. If you need to modify it, you need to turn off the data frequency function.

P8 factory reset

Long press SET to switch to P8, press SET to set to on, press ENT to restore factory settings

You can also press and hold the + - button to disable the POST and restore the factory settings.

Productinformatie

Artikelnummer	PMTMS07/12
Merk	Brand

