

Eijlander Electronics Ede

..... THE BEST IN ELECTRONICS!

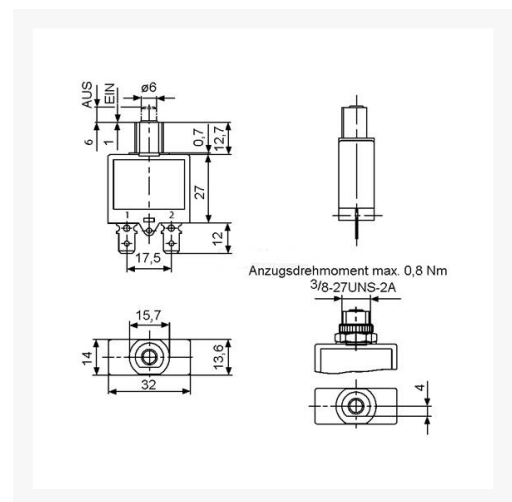
Zanderijweg 12,
6717BM Ede
T. 0318-757900

ZEKERING AUTOMAAT 5A 240VAC/28VDC

€ 9,95

Excl. BTW: € 8,22

Afbeeldingen



Beschrijving

Features

- Single-pole thermal reset circuit breaker
- In small construction with threaded housing attachment
- Reliable switching behavior due to snap-shank contact
- When the circuit breaker trips, a white push-button will be visible.
- Manual reset
- Easy screw mounting 3/8–27UNS–2A, 6mm length
- Complies with the device circuit breaker standard EN 60934 (IEC 600934): R-type, TO
- Flat plugs DIN 46244-A6,3-0,8

Use

Battery chargers, consumer goods, power supplies, motors, etc.

Technical Specifications

| | |
|---|------------------|
| Rated Voltage: | 240V AC / 28V DC |
| Rated Current ¹⁾ : | 5...30A |
| Conditional Short Circuit Current _{CN} | |
| 5...7A: | 180A |
| 8...30A: | 200A |
| Shock Resistance: | 30g (11ms) |
| Insulation Resistance, Min. (500V DC): | 100MΩ |
| Ambient Temperature: | -20...+60°C |
| 5A: | -20...+40°C |
| Protection Class (IEC 60 529) | |
| Operating Range: | IP40 |
| Connection Area: | IPO0 |
| Weight: | 16g |

Productinformatie

| | |
|---------------|----------|
| Artikelnummer | T1658/05 |
| Merk | E-T-A |

