

# Eijlander Electronics Ede

..... THE BEST IN ELECTRONICS!

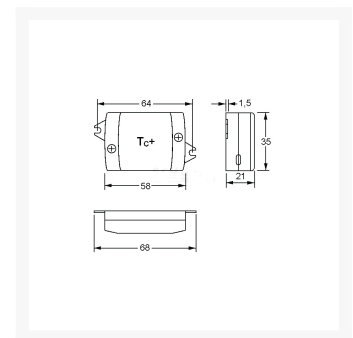
Zanderijweg 12,  
6717BM Ede  
T. 0318-757900

## LED DRIVER 2.5-12VDC 700MA 6W

€ 21,95

Excl. BTW: € 18,14

### Afbeeldingen



### Features

- Universal input
- Constant current
- Not dimmable
- Plastic housing IP20
- Overload protection by current limiting
- Protected against short circuit, overload, overvoltage
- For LED and lighting applications
- Protection class II
- Safety standards: UL 8750; IEC 61347-1; IEC 61347-2-13; EN 61347-1; EN 61347-2-13
- EMC standards: EN 55015
- 3 years manufacturer warranty

### Technical Specifications

Input Voltage:	90...264V AC (47...63Hz)
	120...370V DC
Input Inrush Current, Max.:	10A
Withstand Voltage (I/P-O/P):	3750V AC
Operating Temperature:	-20...+40°C
Dimensions(LxWxH):	68x35x31mm
Weight:	34g

I/P = Input, O/P = Output

Part Nr.	$U_A$	$I_A$	$P_A$	$I_{RN}$	$h$
	[V]	[mA]	[W]	[A <sub>p-p</sub> ]	[%]
RACD06-350	2,5...24	350	6	0,2	79
RACD06-700	2,5...12	700	6	0,2	72

$U_A$  = Output Voltage,  $I_A$  = Output Current,  $P_A$  = Output Power,  $I_{RN}$  = Ripple & Noise,  $h$  = Typ. Efficiency

## Productinformatie

---

Artikelnummer	RACD06-700
Merk	RECOM

