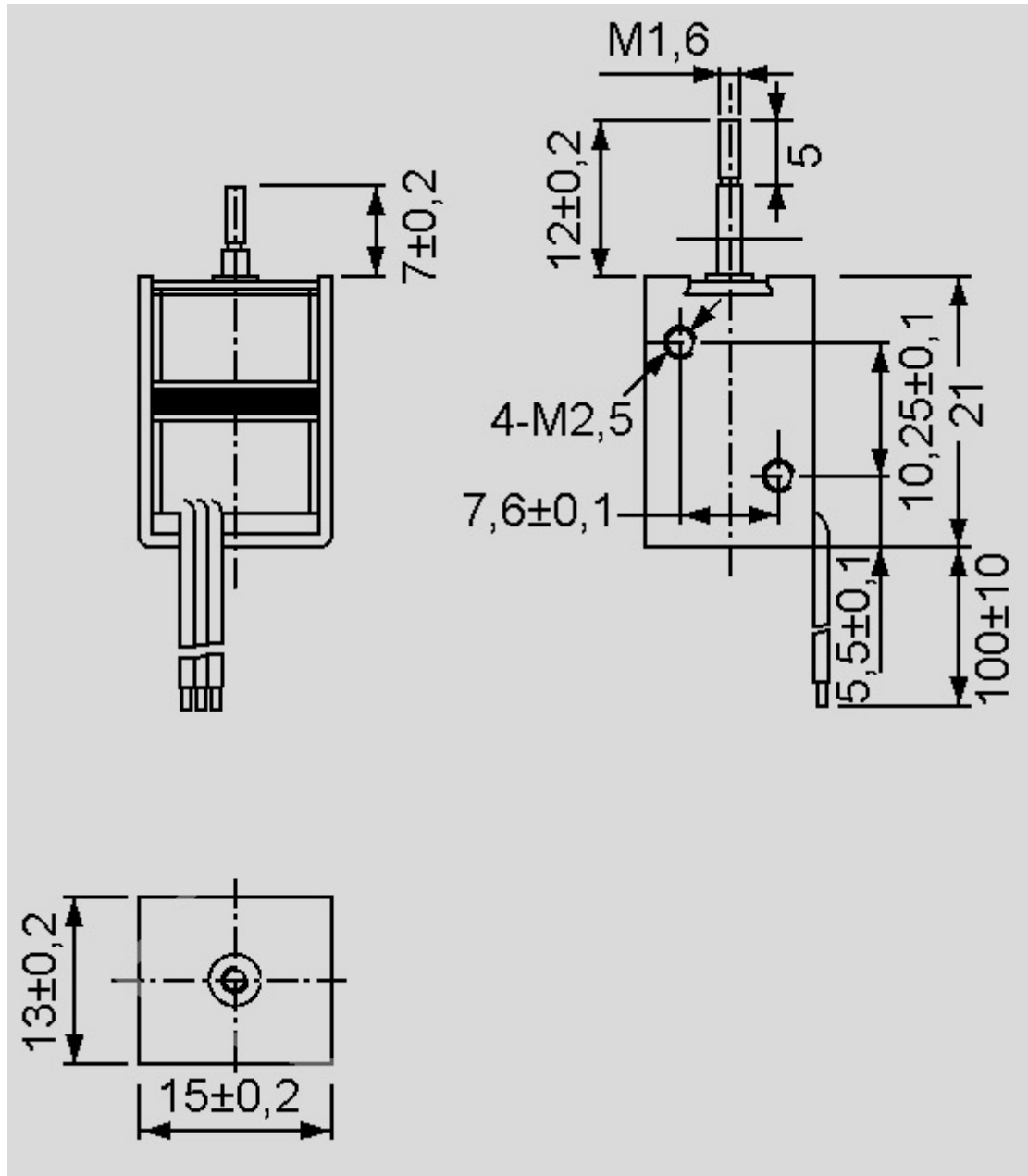


SOLENOID BISTABIEL 12VDC/2.0A 0,6KG

€ 28,96

Excl. BTW: € 23,93

Afbeeldingen



Beschrijving

Features

- Bistable solenoid
- Stroke length of 6mm
- Lower weight by open frame design
- Stable in the end positions
- Forcibly guided ram
- Electrical connection : stranded wire 100+10mm
- Mechanical connection (thread see also data sheet):

ITS-LX-2218_: M2,5 (4x)

Voltage: 12Vdc

Current: 2.0A

Power at 100%ED: 24W

Typical Force: 6N

Dimensions: 13x15x21mm

Weight Solenoid: 58gr.

Productinformatie

Artikelnummer	LX1513-12
Merk	RED-MAGNETICS
Is on Sale	Nee

