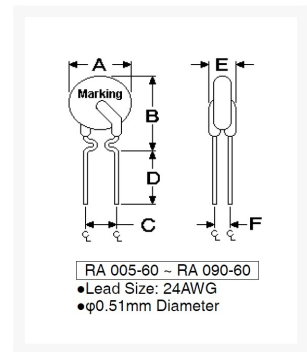
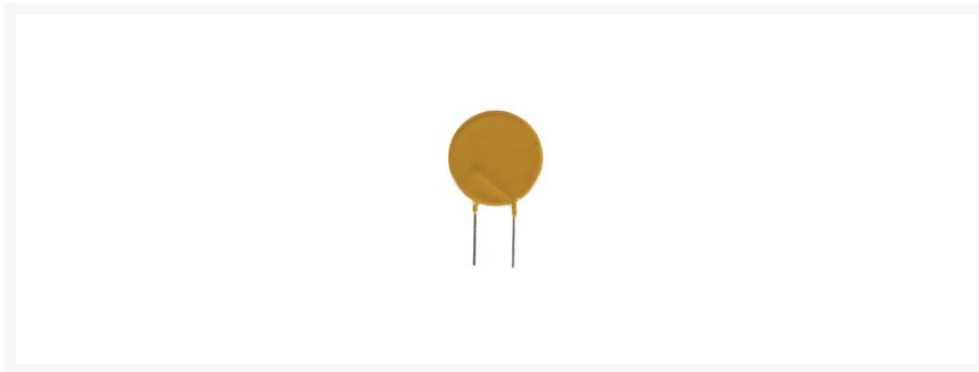


**MULTIFUSE 60V IHOUD 0.1A - ISCHAKEL 0.2A**

**€ 1,21**

Excl. BTW: € 1,00

**Afbeeldingen**



**Beschrijving**

**Features**

- Resettable switching device
- Low current loss due to a low resistance in normal use
- Protection against overcurrent and short circuit

The mode of action is based on the PTC effect. In standard use, the resistance of the device is very low so that only a small power loss arises. In the event of an error, short-circuit or overcurrent, the resistance value of this device increases and protects the equipment. After eliminating the error and switching off the supply voltage, the device quickly returns to a low impedance state.

**Application**

- Ideal for low voltage power supply with a load to be protected up to a maximum voltage of 60V, such as: computers & peripherals, security and fire alarm systems, loud speakers, automotive applications, power transformers and general electronics.

**Technical Specifications**

Insulating Material:	Epoxy Polymer (UL94V-0)
Terminals:	Tin-plated copper

to 0,9A:	Ø 0,51mm
from 1,1A:	Ø 0,81mm
Operating Voltage, Max.	60V
Interrupting Current, Max.:	40A
Temperature Range:	-40...+85°C
Resistance to Soldering Heat:	260°C/5s

Part Nr.	$I_N$	$R1_{Max}$	$t_{Trip}$	$P_d$	$A_{Max}$	$B_{Max}$	$C_{Max}$
ERFRA_	[A]	[Ohm]	[s]	[W]	[mm]	[mm]	[mm]
PSWRX005	0,05	20,0	5,0	0,26	7,4	12,7	5,1
PSWRX010	0,1	7,50	4,0	0,38	7,4	12,7	5,1
PSWRX017	0,17	7,00	3,0	0,48	7,4	12,7	5,1
PSWRX020	0,2	4,40	2,2	0,41	7,4	12,2	5,1
PSWRX025	0,25	3,00	2,5	0,45	7,4	12,7	5,1
PSWRX030	0,3	2,10	3,0	0,49	7,4	13,0	5,1
PSWRX040	0,4	1,29	3,8	0,56	7,6	13,5	5,1
PSWRX050	0,5	1,17	4,0	0,77	7,9	13,7	5,1
PSWRX065	0,65	0,72	5,3	0,88	9,7	14,5	5,1
PSWRX075	0,75	0,60	6,3	0,92	10,4	15,2	5,1
PSWRX090	0,9	0,47	7,2	0,99	11,7	15,8	5,1
PSWRX110	1,1	0,38	8,2	1,50	13,0	18,0	5,1
PSWRX135	1,35	0,30	9,6	1,70	14,5	19,6	5,1
PSWRX160	1,6	0,22	11,4	1,90	16,3	21,3	5,1
PSWRX185	1,85	0,19	12,6	2,10	17,8	22,9	5,1
PSWRX250	2,5	0,13	15,6	2,50	21,3	26,4	10,2
PSWRX300	3,0	0,10	19,8	2,80	24,9	30,0	10,2
PSWRX375	3,75	0,08	24,0	3,20	28,5	33,5	10,2

$I_N$  = Rated Current,  $R1_{Max}$  = 1 Hour Post-Trip Resistance Standard Trip,  $t_{Trip}$  = Max. Time to Trip at  $5xI_N$ ,  $P_d$  = Typical Power;  
All Data for Ambient Temperature at 23°C

#### Note

- These components are protected against overcurrent and overtemperature; not for continuous repeatable switching operations.
- The valid VDE regulations must be observed when handling products which come into contact with electrical voltage.

### Productinformatie

---

Artikelnummer	PSWRX010
Merk	Brand

