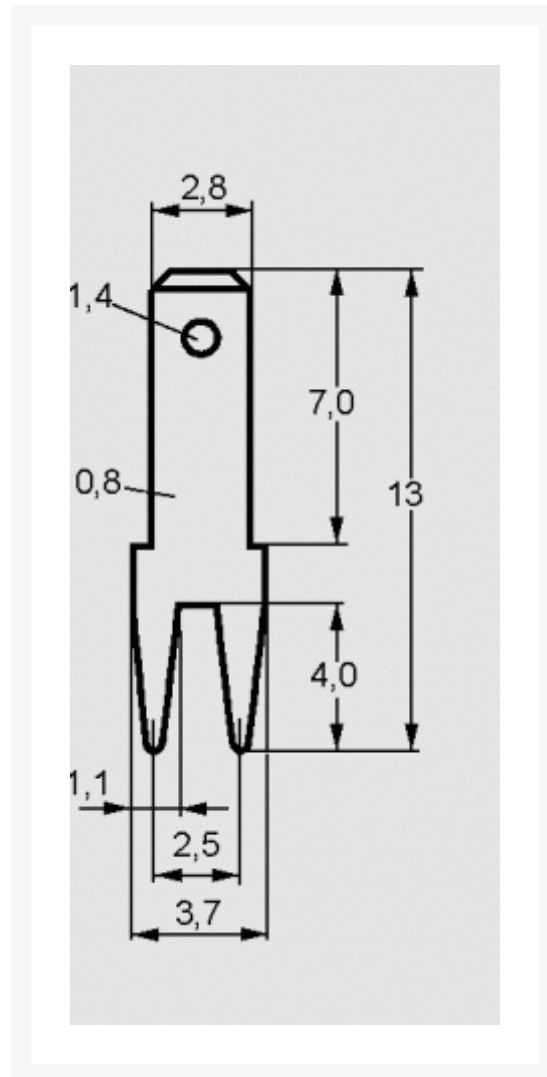


**KABELSCHOEN MALE 2,8MMX0.8MM 2XPRINT RECHT VERTINT 500 STUKS**

**€ 33,05**

Excl. BTW: € 27,31

**Afbeeldingen**



**Beschrijving**

Features

Flat tabs for soldering onto a PCB

Made of brass, tin-plated

## Productinformatie

---

|               |            |
|---------------|------------|
| Artikelnummer | KSPM2808RD |
| Merk          | Brand      |
| Is on Sale    | Nee        |

