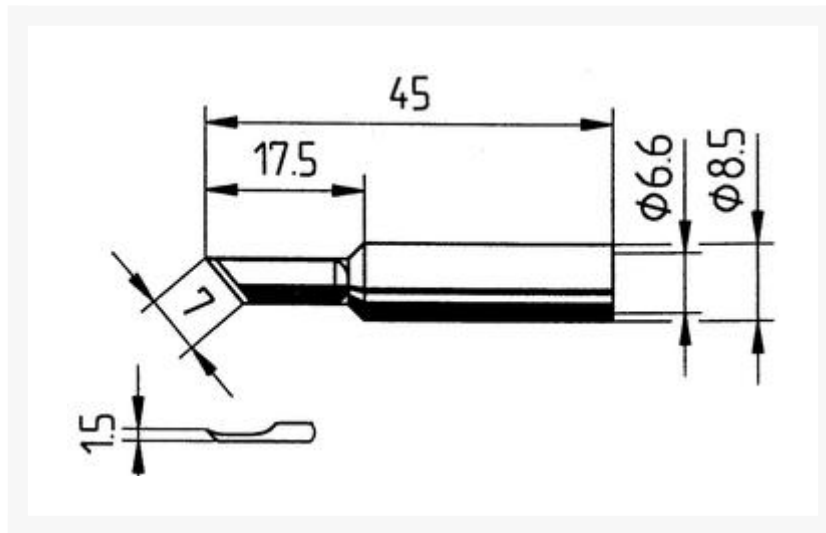


SOLDEERSTIFTEN VOOR MPR25 7.0MM SCHUIN

€ 24,95

Excl. BTW: € 20,62

Afbeeldingen



Beschrijving

Long-life soldering tip with ERSADUR coating for the following soldering stations:

ANALOG 60 (OANA60), ANALOG 60 A (OANA60A), ANALOG 80 (OANA80), ANALOG 80 A (OANA80A), DIGITAL 80 A (ODIG80A), DIGITAL 2000 A version with Power tool soldering iron (ODIG20A84), Multi-Pro (O930CD), Multi-Sprint (O960ED), Multi-TC (O760CD), RDS 80 (ORDS80), MICRO-CON 60 iA (OMIC60IA) with Power tool soldering iron (O840CDJ), TWIN 80 A (OTW80A) with Ergo tool soldering iron (O680CDJ), ELS 8000 (OELS8000OC, OELS8000MC, OELS8000DC), and for the following soldering stations that are out of stock: MS 6000 (OMS6000), MS 8000 (OMS8000), and MS 8000 D (OMS8000D).

Coating long-life tip

Shape of soldering tip: others

Soldering tip diameter / width (mm) 1,50

Interior diameter of the shaft (mm): 6,6

Exterior diameter of the shaft (mm): 8,5

Total length (mm) 45,00

Weight (g) 0,007

Productinformatie

| | |
|---------------|-----------|
| Artikelnummer | ERSA832AD |
| Merk | ERSA |
| Is on Sale | Nee |

